

FORESTER
FORESTRY EQUIPMENT



History Forester

- 130 years ago workshop was founded in Tartu, Estonia. During 130 years of development the company produced different type of machinery for agriculture and forestry and has now become the main production base for Forester.
- **Present time, 2017.** The new owner of the plant Yuri Pikk CEO, relying on years of experience and business relationships, develop the enterprise well-known both in the West and in the East of the continent. Yuri Pikk set his goal: **“High-quality, accessible, modern appliances in each forestry farm in Western and Eastern Europe!”**
- The interest in maintaining production capacity concentrated in the city of Tartu, Estonia, is a very important strategic point, which will bring the plant’s output to Europe and the CIS markets. To do this, we have the experience, professionalism, highly qualified mobile team.



Product line Forester

Our standard product line consist of:

- 6 forestry cranes
- 7 standard trailers
- 4 standard grapples

In addition we offer:

- Special design trailers
- Rotators and links for them
- Hydraulic cylinders
- Accessories



Forester Log trailer

Forest Trailer

Our standard product line includes 7 standard trailers:

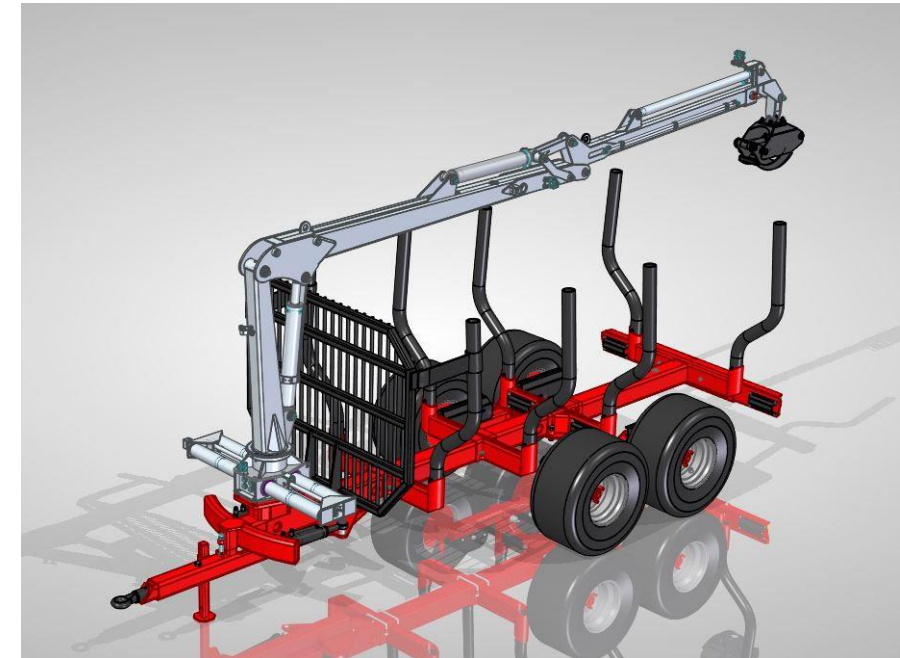
- 4 trailers with single main beam
- 3 trailers with double main beam

Forester	FT-6	FT-8	FT-10	FT-12	FT-10D	FT-12D	
Load capacity (kg)	6000	8000	10000	12000	10000	12000	14000
Frame	Single	Single	Single	Single	Double	Double	Double
Chassis, mm	140x140x6	160x160x8	160x160x8	180x100x8	2x160x100x8	2x180x100x8	2x200x120x10
Total length (mm)	5070	5800	6140	6080	6140	6080	7375
Total width (mm)	1800	2100	2400	2400	2400	2400	2550
Load space area (m2)	1,80	2,00	2,30	2,30	2,30	2,30	2,50
Wheels	400/60-15,5"	400/60-15,5"	400/60-15,5"	520/50-17"	400/60-15,5"	520/50-17"	600/50-22,5"
Ground clearance	510 mm	525 mm	600 mm	608 mm	600 mm	608 mm	750 mm
Posts	6pcs	6 pcs	8 pcs	8 pcs	8 pcs	8 pcs	8 pcs
Standard weight (kg)	750	900	1100	1300	1300	1500	2950
Supprtlegs	A	A or B	A or B	A or B	A or B	A or B	A or B
Telescopic extension	Optional	Optional	Optional	Optional	Optional	Optional	Optional
Brakes Hydraulic 2	Standard	Standard	Standard	Standard	Standard	Standard	Standard
Brakes Hydraulic 4	Optional	Optional	Optional	Optional	Optional	Optional	Optional
Brakes Pneumatic 2	Optional	Optional	Optional	Optional	Optional	Optional	Optional
Brakes Pneumatic 4	Optional	Optional	Optional	Optional	Optional	Optional	Optional
Handbrake	Optional	Optional	Optional	Optional	Optional	Optional	Optional
Rear Lights	Optional	Optional	Optional	Optional	Optional	Optional	Optional

Forestry Cranes

- 6 crane models with working radius 4.1 – 8.0 m designed specifically for forestry use
- Each detail of the crane structure has been designed with the utmost care to ensure the best possible quality and performance
- All cranes are equipped with a boom with double joints, increasing the mobility of the forks and enabling forks to be taken very close to the front grid
- Cranes are retractable

Forester	FC-4100	FC-5300	FC-6300	FC-6700	FC-7200	FC-8000
Max outreach	4,1 m	5,3 m	6,3 m	6,7 m	7,2 m	8,0 m
Telescopic stroke length	-	-	-	1,3 m	1,60 m	2x1,3m
No of Beams	2	2	3	3	3	4
Domex used in beam construction	0	2	1	3	3	4
Link system	No	Yes	Yes	Yes	Yes	Yes
Slewing angle	360°	360°	360°	360°	360°	360°
Slewing cylinders	4 pcs	4 pcs	4 pcs	4 pcs	4 pcs	4 pcs
Lifting power at 4 m	300 kg	550 kg	590 kg	870 kg	845 kg	1160 kg
Lifting power at full lenght	300 kg	500 kg	375 kg	520 kg	470 kg	575 kg



Forester Log trailer

Product line

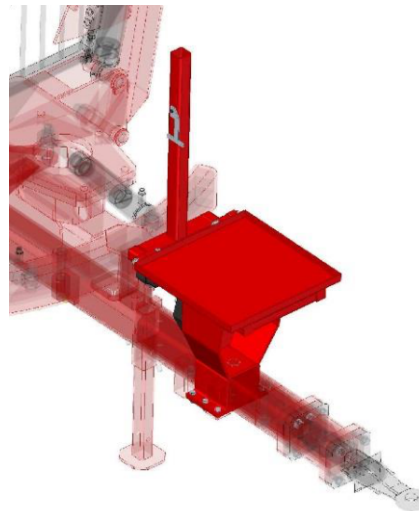
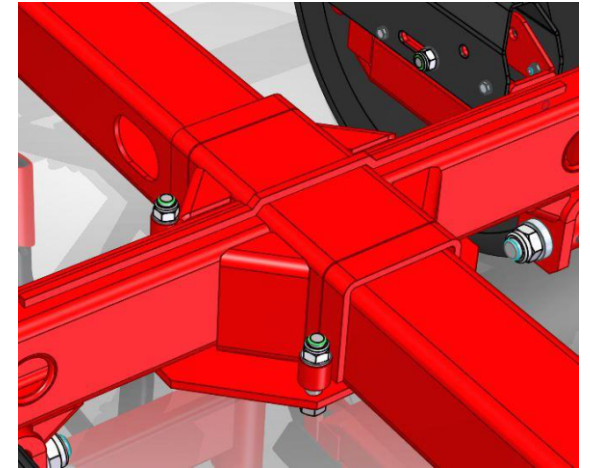
Accessories

Trailer extensions

- Trailer extensions are available both for single beam and double beam versions

Other accessories

- Oil systems
- Standing platforms
- Hand brake system
- etc



Forester Log trailer

Product line

Accessories



Grapples Forester

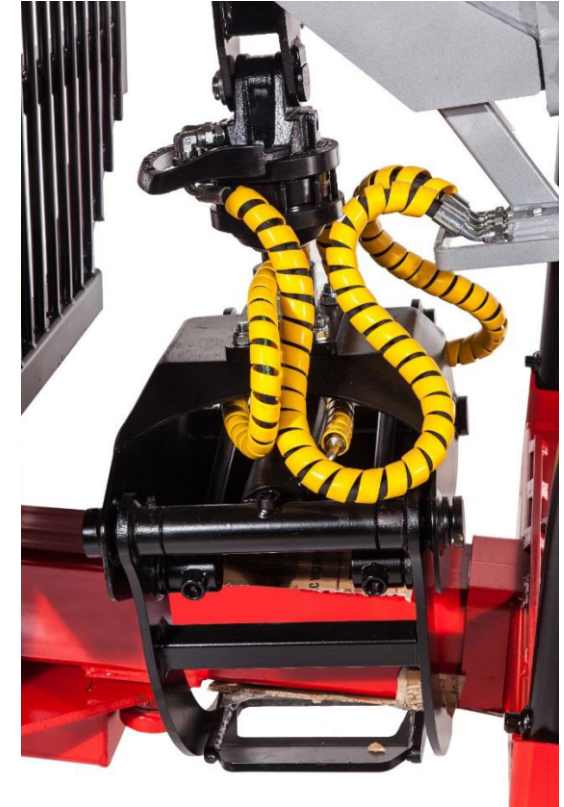
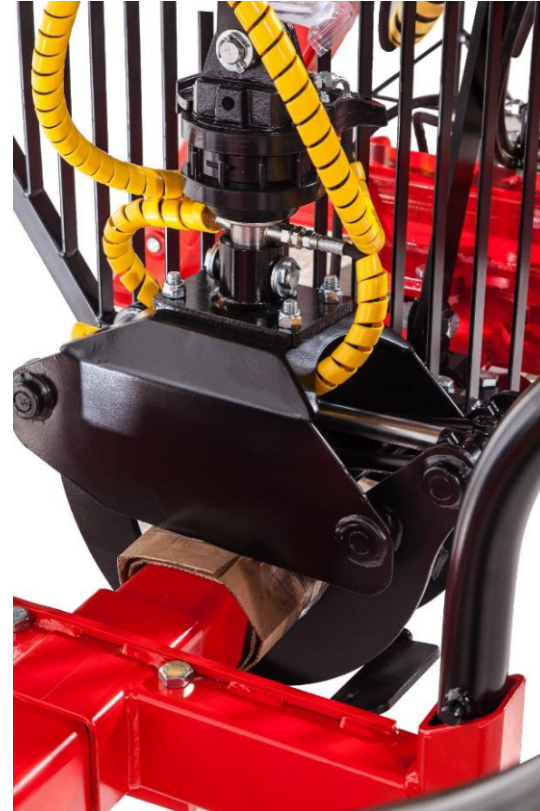
- 4 standard models of grapples
- Special design grapples to offer wider use of the cranes

Rotators and links for them

- Forester offers hydraulic rotators available from 1 to 16 ton capacity.

Hydraulic cylinders

- Forester produces serial hydraulic cylinders with piston diameter of 30 – 200mm and stroke up to 4000mm



Dealer principles

Standard rule: One importer/dealer covering the whole country

The dealer can sometimes use subdealers, but the pricing should be agreed

Responsibilities of the dealer:

Homologation in the region

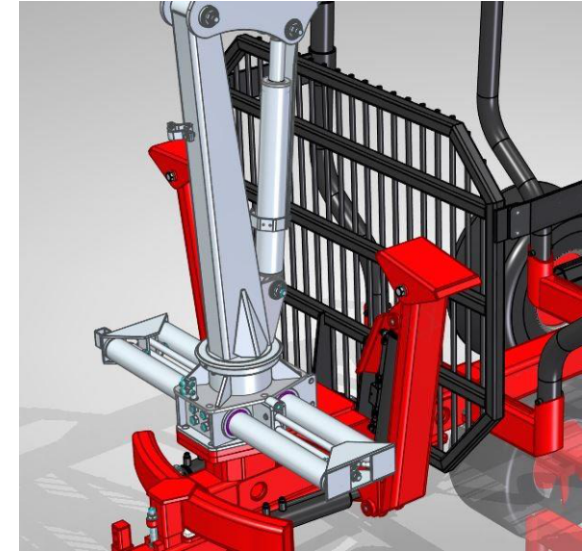
Sales:

- Sales planning
- Stock keeping & model selection for stock

After sales service and repair if needed

Marketing and promotion

- Trade exhibitions
- Publications & webpage
- Direct contacts with the clients



Forester Log trailer

Prices may vary, contact us for the best deals. We also often hold promotions, do not miss.



Trailer model	Wheels	Posts	Brakes	Frame steering	Price per unit Ex Works
FT-6	400/60-15,5	6	Oil-2	No	
FT-8	400/60-15,5	6	Oil-2	No	
FT-10	400/60-15,5	8	Oil-2	Yes	
FT-12	520/50-17	8	Oil-2	Yes	
FT-10D	400/60-15,5	8	Oil-2	Yes	
FT-12D	520/50-17	8	Oil-2	Yes	
FT-14D	600/50-22,5	8	Oil-2	Yes	

Crane model	Valve	Rotator	Grapple	Support legs	Price per unit Ex Works
FC-4100	Mono-function	FHR 1.0	FG-12	A-type	
FC-5300	Mono-function	FHR 1.0	FG-20	A/B-type	
FC-6300	SP-8 (2+4 levers)	FHR 3.0	FG-20	A/B-type	
FC-6700	SP-8 (2+4 levers)	FHR 3.0	FR-20	A/B-type	
FC-7200	3-coordinates	FHR 3.0	FG-26	A/B-type	
FC-8000	3-coordinates	FHR 4.5	FG-32	B-type	

Grapples	FG-12	FG-20	FG-26	FG-32
Price				

Rotators/links	FHR 1.0	FHR 3.0	FHR 4.5	FHR 6.0
Price				

Accessories	Price
A/B-type Support legs	
Hydraulic brakes on all wheels (instead of 2)	
Pneumatic brakes on 2 wheels (instead of oil)	
Pneumatic brakes on 4 wheels	
Handbrake	
Wheels 520/50-17" for We-10 and We-10D	
Telescopic extension with 1 pair of posts for single frame	
Telescopic extension with 1 pair of posts for double frame	
Standing platform	
Trailer/Crane lights	
Pair of extra posts + crossbeam for We-8 or smaller	
Pair of extra posts + crossbeam for We-10 or bigger	
Pair of extra posts for We-8 or smaller	
Pair of extra posts for We-10 or bigger	

Standard delivery and payment terms

Deliveries:

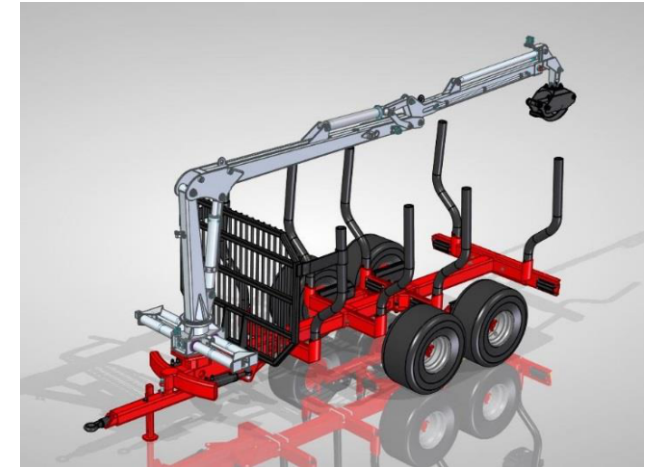
- Standard models 6 weeks EXW Tartu
- (with the exception of 8 weeks for WE10 D RDM; WE12DRDM; RDM12)

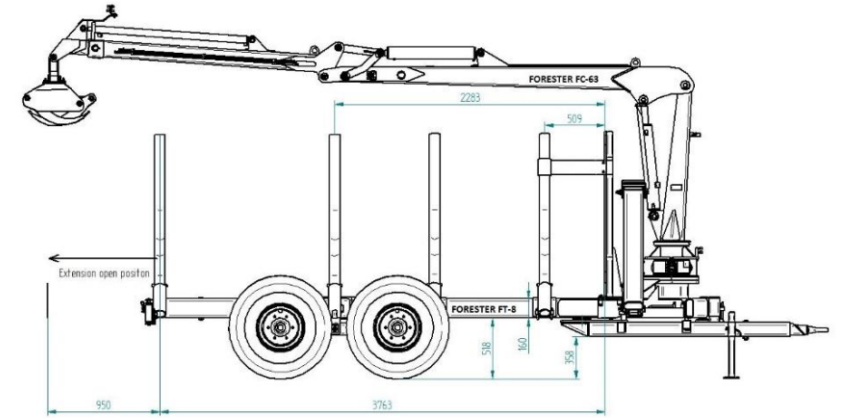
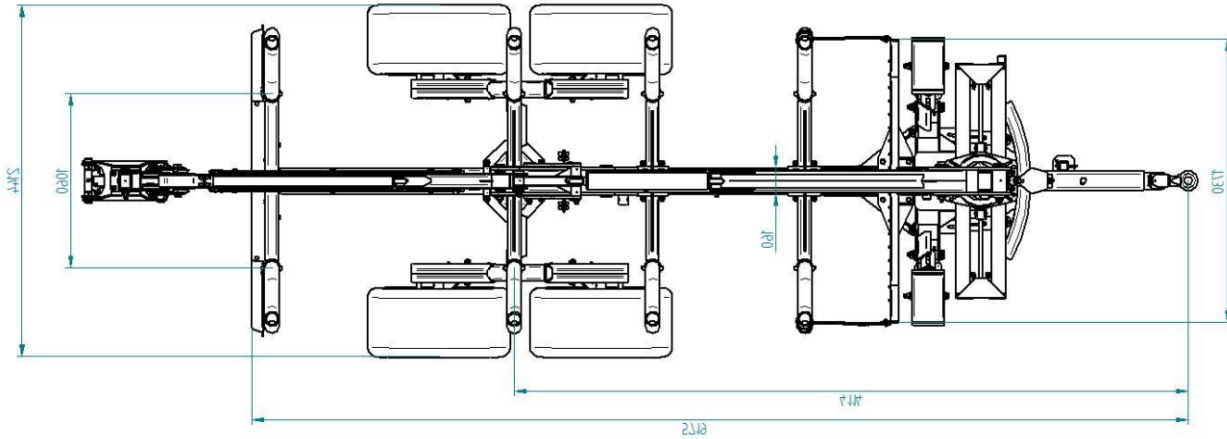
Standard Payment terms:

- 50 % in advance and 50 % in delivery

Warranty terms:

- 2 years for steel construction, 1 year for other parts
- Purchased components warranties will apply according to the suppliers warranty terms





Metsatehnika Forester OÜ

Phone: +372 55 39 474

Adress: Ringtee 27a, 51105

Tartu, ESTONIA

E-mail: info@forester.ee

www.forester.ee

Juri Pikk, CEO

+372 55 39 474

+372 740 77 77

info@forester.ee



Forester Log trailer